

Article No: JET30110 / 30120

JET SET Fog/Jet Nozzle



How to operate

Twist the nozzle head to select flow and fog angle.
Shut off › Mini Jet › Protecting screen ›
Long range fog › 300 lpm Jet › 150 lpm Jet

Applications

Firefighting with fog or jet. Supplies multiple setting-choices, merely selected by twisting the nozzle head.

Operating pressure

2 - 10 bar

Weight

2.3 Kg with 2" thread connection

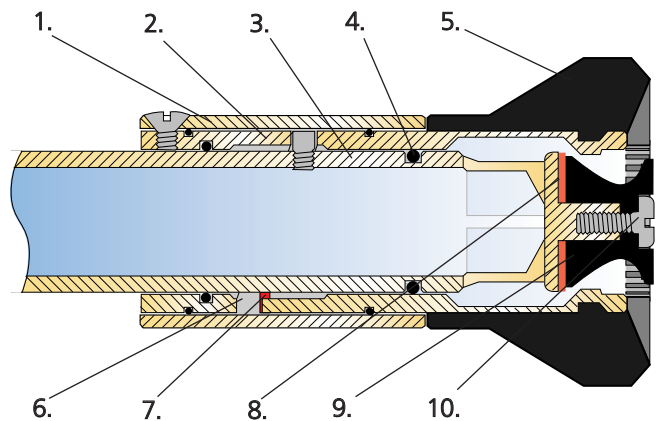
Measurements

Length: 38 cm with 2" thread connection
Nozzle Ø: 8.3 cm

Connections

1" or 2" BSP male threads

Capacities



Material

- 1. Friction CoverChromeplated Brass
- 2. ManeuveringChromeplated Brass
- 3. CenterChromeplated Brass
- 4. O-rings.....Nitril rubber
- 5. Rubber HeadHigh quality rubber
- 6. OilSilicone oil
- 7. Max Fog FixBrass
- 8. SealVulkolan
- 9. Baffle.....Delrin
- 10. Screws (All).....Stainless steel
- 11. Handle (Cover)PVC (plastic)

Pressure Bar	Mini Jet		Fog 110°		Full Jet		Half Jet	
	Flow lpm	Range meters	Flow lpm	Range meters	Flow lpm	Range meters	Flow lpm	Range meters
6	0-55	19	310	9-15	315	31	160	28
10	0-72	25	390	17-25	370	37	190	36