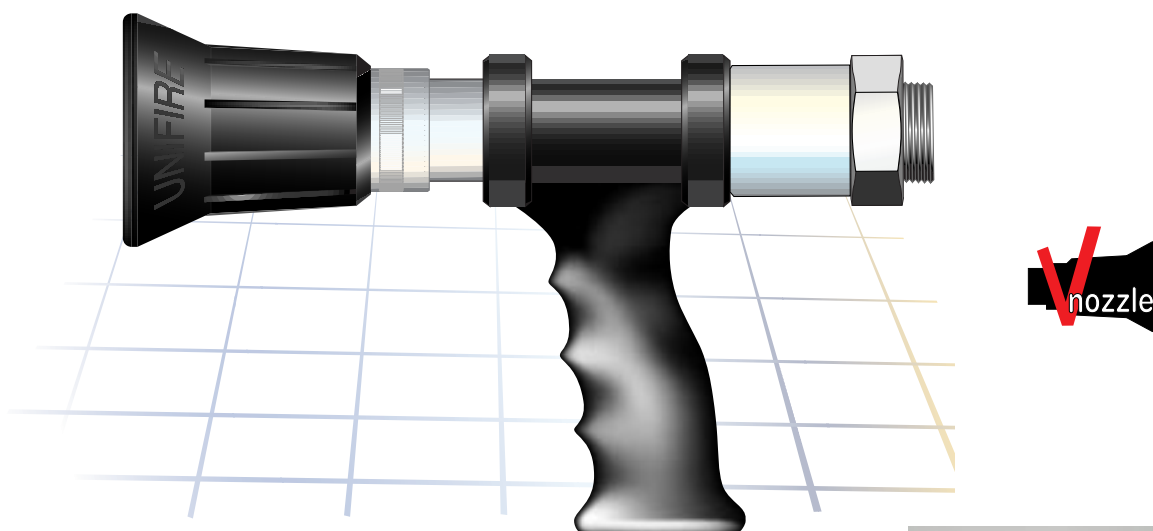


V-Nozzle Pistol for firefighting and industrial use



The Unifire V-nozzle is a multi-purpose fognozzle with very good performance for both fog and jet. The V-nozzles are available in both long and short versions. The V-nozzles are used on a number of Unifire products. Look for the V-nozzle logotype.



The UNIFIRE V-nozzles are available in sizes 12, 16 and 20

How to operate

Twist the nozzle head to select spray-pattern
-Stepless adjustable from shut-off via jet to 90° fog.

Applications

Fireextinguishing with fog or jet. Proven very reliable. Designed for heavy professional use.

Operating pressure

Recommended operating pressure: 2 - 12 Bar
Max operating pressure 15 bar

Weight and measurements

Length: 210 mm Nozzle Ø : 80 mm
Weight with 1": 2,0 kg

Connections

1" or 2" BSP male threads

Material

Chromeplated brass, red plastic cover and rubber bumper head.

Maintenance and spareparts

The nozzle is practically maintenance-free. Only spare-part is the baffle and its screw.

Capacities Unifire V-nozzles

Pressure Bar	Jet		Fog 90°	
	Flow lit/min	Range meters	Flow lit/min	Range meters
V12				
2	134	22	184	10
6	233	32	325	13
10	302	37	400	14
V16				
2	205	26	240	10
6	356	34	405	13
10	462	40	550	14
V20				
2	252	27	285	11
6	442	37	480	13
10	576	43	650	16